

2. Truss storage

Truss installation directly from truck – is rarity. Need to chose suitable place for truss storage.

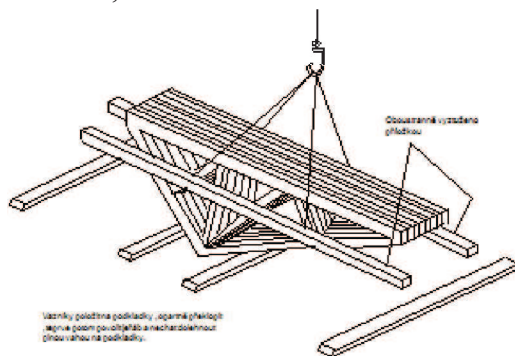
Choosing place of truss need to allow for :

- suitable truss storage (best in vertical position);
- suitable fixation of truss (support help);
- height of pad ,which will protect truss from touching of ground.

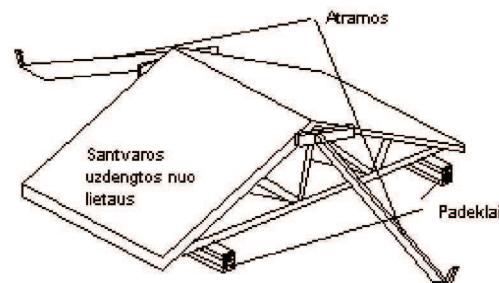
Storing truss in horizontal position need allow for :

- number of pad for trusses;
- pad need to put down, that truss be in horizontal position without deviation;
- sum of truss pile height should be exceeded 1,5 m.

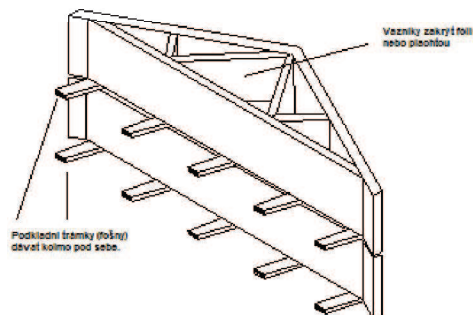
If truss will be storage longer, it must protect from bad weather with suitable insulation material, which allow air circulation for trusses. (pav. 6)



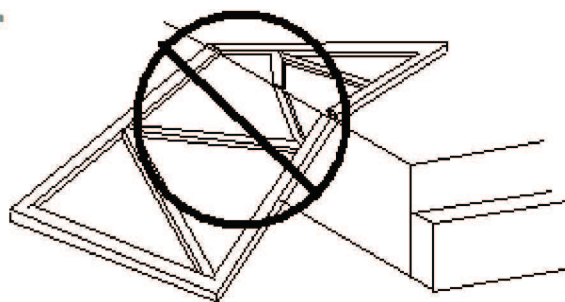
pic.5 Upside – down trusses storage



pic.6 Storage in vertical position



pic.7 Storage in horizontal position



pic.8 Unallowable storage example

3. Truss lifting (mounting)

Work with crane:

- Truss, not exceeded 12 m length , can be binded to the top of truss (pic.9)
- If truss exceed 12 m length, liftin job are doing with two flax or with bracket (pic.10)
- If truss exceed 24 m length, lifting with bracket or beam is needed (pic.11)
- For safety job, must use flax to move truss (binded to bottom chord of truss)